

## Specification

SERIES NO.	MG6RH
IMAGE SENSOR	1/3-INCH MEGAPIXEL CCD SENSOR
CCD TOTAL PIXELS	1329(H) X 976(V) APPROX. 1.49M PIXEL
SCANNING SYSTEM	PROGRESSIVE SCAN
SYNC SYSTEM	INTERNAL
MINIMUM ILLUMINATION	0.1 LUX @ AGC ON /SENS-UP OFF/ F1.2
RESOLUTION	OVER 800 TV-LINE
ICR-SET CONTROL	AUTO, EXTERNAL-CONTROL(IR-CUT REMOVABLE FILTER OPTIONAL FUNCTION)
GAIN CONTROL	AUTO, MANUAL
EXPOSURE CONTROL	AUTO, MANUAL, IRIS PRIORITY
S / N RATIO	48DB (TYP) (GAMMA, APERTURE, AGC OFF)
AUTO IRIS	AES (ROLLING SHUTTER) / ALC-DC LENS
VIDEO FORMATOUT	IMAGE ASPECT: FULL(1280X960)/NORMAL(1280X720) HDV 16:9 (MODE: SQUEEZE OR CROPPED): 720P50/60HZ; 720P 25/30HZ; 1080P25/30HZ;1080I 50/60 HZ ; SDV(4:3)(MODE: SQUEEZE OR CROPPED: NTSC/PAL(4:3/16:9)
DNR CONTROL	3D/2D NOISE REDUCTION (OFF/LOW/MIDDLE/HIGH)
GAMMA CORRECTION	CRT / LCD / 1.0
DIGITAL ZOOM	MAX: 4 TIMES/ADJUSTABLE
DIGITAL VIDEO OUT	HD-SDI / HDVI(HIGH DEFINITION MULTI-MEDIA INTERFACE)(SELECTABLE BY ORDER)
ANALOG VIDEO OUT	CVBS NTSC/PAL(SELECTABLE BY OSD)
PROTOCOL	RS-485(OPTIONAL FUNCTION)
FUNCTION	PEAK/ BLC/FIXED SHUTTER/XDR /AGC/ FIXED GAIN/SLOW SHUTTER/3DNR CONTROL/DAY-NIGHT/FOG-REDUCTION / ECLIPSE/ENHANCE H-V/UV-MATRIX/AWB /ATW/R-Y/B-Y/FREEZE/PRIORITY/MOTION DETECTION/DIGITAL P.T.Z /POSI-NEGATIVE/PRIVACY MASK/CROSS LINE/FREEZE/COM-ID
OPERATION TEMPERATURE	-20°C TO 50°C
OPERATIONAL HUMIDITY	WITHIN 85% RH
POWER SUPPLY	DC12V±1V / 280MA(HDVI AND HD-SDI TYPE ONLY)

### HDV/SDV Basic system setting information:

For TV System selection (NTSC/PAL ),

1. for **NTSC**, by turning on the power while pressing [OSD UP] key together.
2. for **PAL**, by turning on the power while pressing [OSD RIGHT] key together.
3. for **HDV** enable or disable, by turning on the power while pressing [OSD LEFT] key together,
4. for **SDV** enable or disable, by turning on the power while pressing [OSD DOWN] key together.
5. Show **Basic system setting**, by turning on the power while pressing [OSD middle] key together.

### Caution for Installation:

1. Avoid places where there is direct sunlight. When using the camera outside.
2. Be careful, never let any water in this equipment.
3. Do not directly touch the Sensor device. If necessary, use a soft cloth moistened with alcohol to wipe off the dust.
4. When the camera installs in dust or wet environment, please puts into the camera housing.
5. Be extra careful not to shake the camera.
6. Avoid places where temperatures exceed 50 °C or more.
7. Be extra careful not to mistake plug in connect.
8. The camera are only operated with regulative adaptor DC 12V, AC to DC non-regulative adaptor may cause camera damaged.

## MG6R OSD Infrastructure (Index)

### Luminance Menu 1/4

ALC	Off/On/FLC	ALC(Auto lighting control) level control, with FLC(flicker less) function
AES	Off/On	AES(Auto exposure shutter ) level control
FIXED SHUTTER	Off/On	1/30(1/25),1/50(1/60),1/100,1/120,1/180,1/350,1/500.1/750,1/1000,1/2000,1/4000,1/10000.
PEAK AVERAGE	Off/On	Adjust image PEAK ratio, for highlight suppression
BACK LIGHT	Off/On	Brightness compensation for dark area
XDR	OFF/LOW/Middle/HIGH	Digital WDR function which is based on adaptive tone mapping.
GAMMA CONTROL	CRT/LCD/1.00	Gamma correction function

### Luminance Menu 2/4

AGC	AUTO/FIX	Electronic sensitivity compensation which can amplify to enhance low video signal up to 24dB
SLOW SHUTTER	OFF/LIMIT TIME	Electronic sensitivity compensation which be by frame accumulation tech.
DNR	OFF/LOW/Middle/HIGH	To reduce random image noise
DAY / NIGHT	DAY/NIGHT/COMPUL/AUTO	ICR-SET, Control mode: auto or by External control mode
FOG REDUCTION	OFF/LOW/Middle/HIGH	To enhance the low contrast image such as snow, fog, haze
ECLIPSE	OFF/LOW/Middle/HIGH	To block the area which is saturation of lighting in the image.
SHARPNESS	ON/OFF	Image enhance
ENHANCE	HDV/SDV	Both HD(high definition)Video and SD(standard definition) video can be adjusted by Horizontal and Vertical

### Color Menu 3/4

COLOR MODE	MONO/OFF/ON/AUTO	Be changeable from color to B/W automatically or fixed in color
WHITE BALANCE	ATW/AWB	Auto tracing white balance and auto while balance –one push
UV MATRIX	U-MATRIX/V-MATRIX	U or V- axis, R/G/B color adjustable.
COLOR GAIN	GAIN CONTROL	Color gain adjustable.
COLOR TONE	R-Y/B-Y	Color vector adjustable.

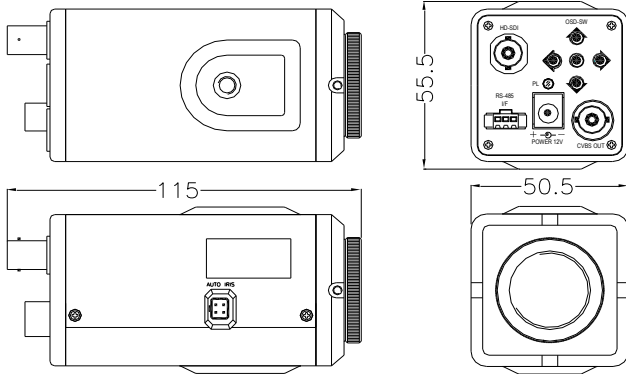
### Setup Menu 4/4

LANGUAGE	ENGLISH/JAPANESE/CHINESE(TRADITIONAL/SIMPLIFIED)		
TITLE	OFF/ON	TITLE can be set with display.	
DEFAULT	LOAD/SAVE/FACTORY	OSD parameter setting load or saving	
SPECIAL FUNCTION (1/2)	SPECIAL FUNCTION (1/2)	PRIORITY	Priority selectable, AGC first or SLOW SHUTTER first.
		MOTION DETECT	Motion detection is on or off
		DIGITAL ZOOM	Zoom ration selectable, and Pan / tile movable
		H / V REVERSE	Mirror and flip
		DISPLAY MODE	HD video format: 720p25/30/50/60;1080p25/30;1080/50/60 selectable by OSD or PC SD video format: 4:3/16:9 Image aspect : Nor.(16:9) or Full(4:3)
		DIGITAL OUT	YUV422 Spec. setting
SPECIAL FUNCTION (2/2)	SPECIAL FUNCTION (2/2)	PRIVACY MASK	Image masking
		CROSS LINE	Crosslink can be displayed with moving by V or H axis
		FREEZE	Image freeze
		COLOR BAR	Color Bar can be displayed
		POSI / NEGA	Show positive image or negative
		COMM ID	Set camera ID number for comm.

※The specifications and appearance of the product may change without notice.

# MG6R C/CS Mount BOX

Dimension (Unit : mm / ±0.3mm)

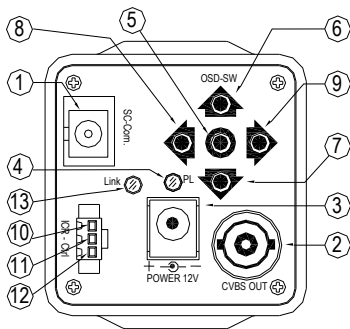


### Rear board definition

- ① HDV VIDEO OUT
- ② SDV VIDEO OUT
- ③ POWER IN DC-JACK
- ④ POWER ON INDEX LED
- ⑤ OSD-SW "ENTER"
- ⑥ OSD-SW "UP"
- ⑦ OSD-SW "DOWN"
- ⑧ OSD-SW "LEFT"
- ⑨ OSD-SW "RIGHT"
- ⑩ RS-485 (AUX) : "+"
- ⑪ RS-485 (AUX) : "-"
- ⑫ RS-485 (AUX) : "GND"

Body side connector: DC IRIS

[Item No. MHD-93MG6H-FD1CR](#)



- Fiber Video out
- Power: DC 12V/280mA
- Day/ Night :IR-Cut filter or Removable(optional)
- Communication: Normal (No released)or RS-485 (for developer)